

PROBLEM

Planter runs at full speed after forward travel stops.
A.P.E.R. Signal is on
Planter runs even when FLUSH switch is in OFF position

PROCEDURE TO CHECK PROBLEM

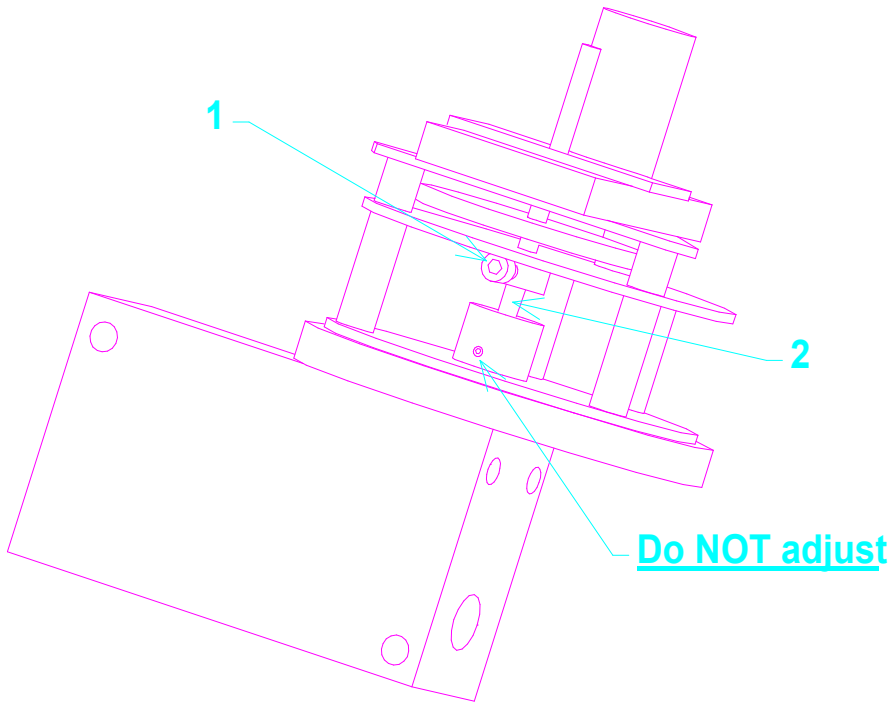
remove cover from hydraulic valve. using small screwdriver rotate valve coupling slightly toward close position. (page 17 of DJ CCS 100 manual)

with power on to console valve should automatically return to close position
If valve does not return to close position see solution below

SOLUTION

Replace driver module.

If valve returns to close position continue operating planter. If problem persists hydraulic valve will need to be replaced.



1. Loosen upper set screw.

2. Rotate shaft clockwise.

Do not adjust lower set screw, doing so will make the valve unusable.

Comment: do not adjust valve.vcd